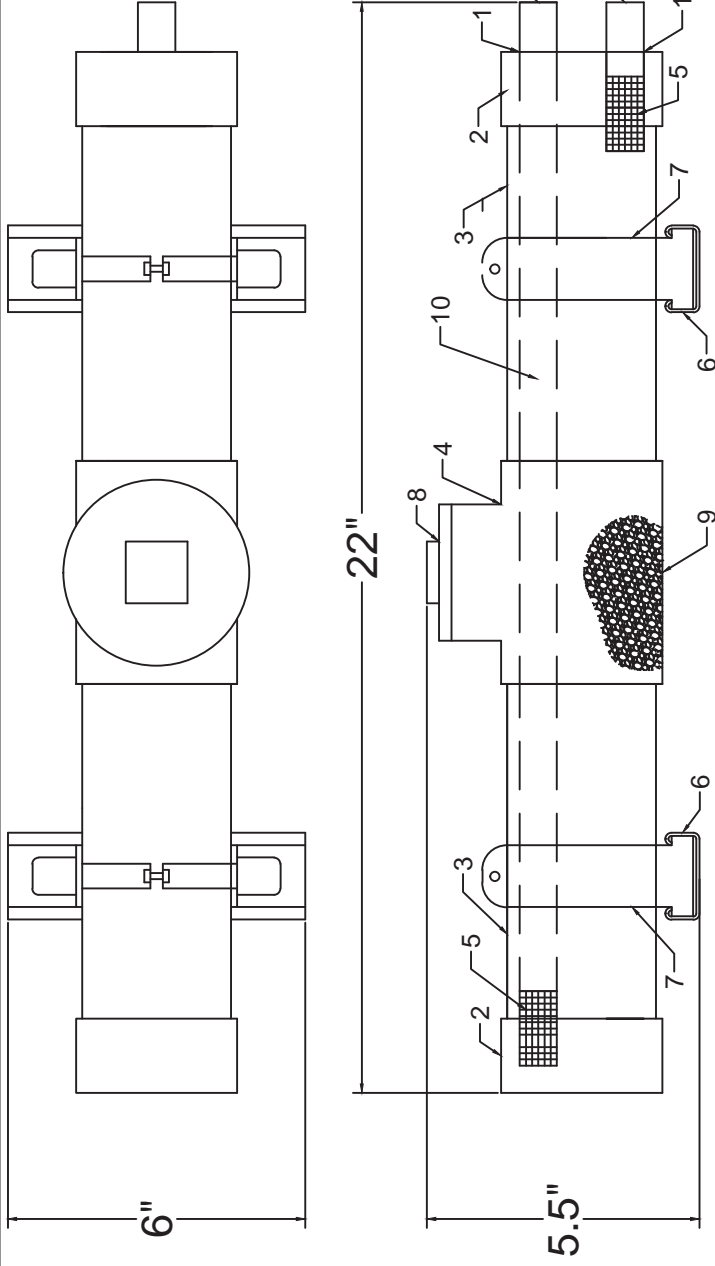


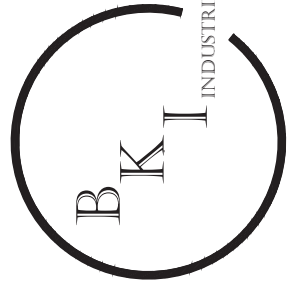
# Acidic Condensation Neutralization Kit



Item	Description	Qty
1	$\frac{3}{4}$ " Schedule 40 PVC FM x FM Coupling	2
2	3" Schedule 40 PVC CAP (Modified)	2
3	3" Schedule 40 DWV-PVC Pipe	2
4	3" PVC-DWV Schedule 40 C/O Tee	1
5	$\frac{3}{4}$ " MIP Polypropylene Screen	2
6	14 Gauge 13/16" Painted Uni-Strut	2
7	Zinc Coated Uni-Strut Clamp	2
8	PVC-DWV MIP Threaded Cap	1
9	Limestone Formulated Mix	-
10	$\frac{3}{4}$ " PVC Schedule 40 Dip-Tube	1

- For use on High Efficiency Condensing Gas Fired Appliances
- Neutralizes flue gas condensation to a "Neutral 7.0" PH Level For Safe Disposal to drain and sewer
- Compliance with Michigan Plumbing Code Sections 803 & 314
- All connections prepared with low "VOC" primer and PVC-Glue
- Active agent is crushed limestone & pelletized lime formulated mix
- Eliminates damage to concrete floors and cast iron drainage piping

\*\*Dimensions are Approximate\*\*  
 \*\*Patent Pending Design\*\*  
 Made in the U.S.A



INDUSTRIES, INC.

## Model: BKI-3000

### BTU Capacity: Up to 3000 MBH

Est. Weight: 16 lbs

[www.bkiindustries.com](http://www.bkiindustries.com)

## BKI Industries, Inc

P.O. Box 256 Walled Lake, MI 48390

Phone: 248-977-5550

Fax: 248-438-1674

Approved by:

Scale: None

Date: 11-9-11

Revision: 1.1