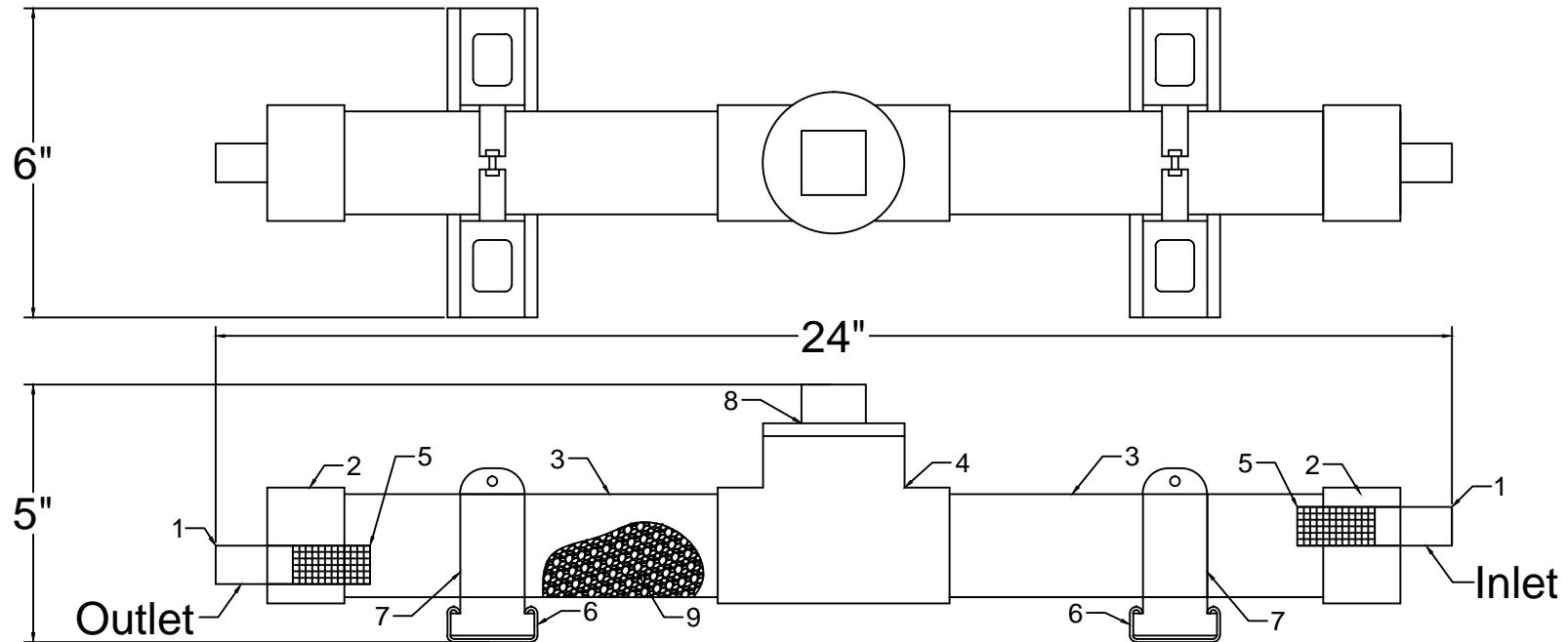


Acidic Condensation Neutralization Kit



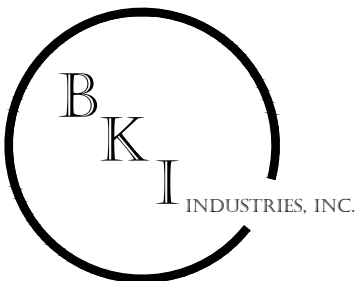
Item	Description	Qty
1	$\frac{3}{4}$ " Schedule 40 PVC FM x FM Coupling	2
2	2" Schedule 40 PVC CAP (Modified)	2
3	2" Schedule 40 DWV-PVC Pipe	2
4	2" PVC-DWV Schedule 40 C/O Tee	1
5	$\frac{3}{4}$ " MIP Polypropylene Screen	2
6	14 Gauge 13/16" Painted Unistrut	2
7	Zinc Coated Uni-Strut Clamp	2
8	PVC-DWV MIP Threaded Cap	1
9	Limestone Formulated Mix	-

- For use on High Efficiency Condensing Gas Fired Appliances
- Neutralizes flue gas condensation to a "Neutral 7.0" PH Level For Safe Disposal to drain and sewer
- Compliance with Michigan Plumbing Code Sections 803 & 314
- All connections prepared with low "VOC" primer and PVC-Glue
- Active agent is crushed limestone & pelletized lime formulated mix
- Eliminates damage to concrete floors and cast iron drainage piping

Dimensions are Approximate

Patent Pending Design

Made in the U.S.A



Model: BKI-1000

BTU Capacity: Up to 1000 MBH

Est. Weight: 8 lbs

www.bkiindustries.com

BKI Industries, Inc

P.O. Box 256 Walled Lake, MI 48390

Phone: 248-977-5550

Fax: 248-438-1674

Approved by:

Scale: None

Date: 11-9-11

Revision: 1.1